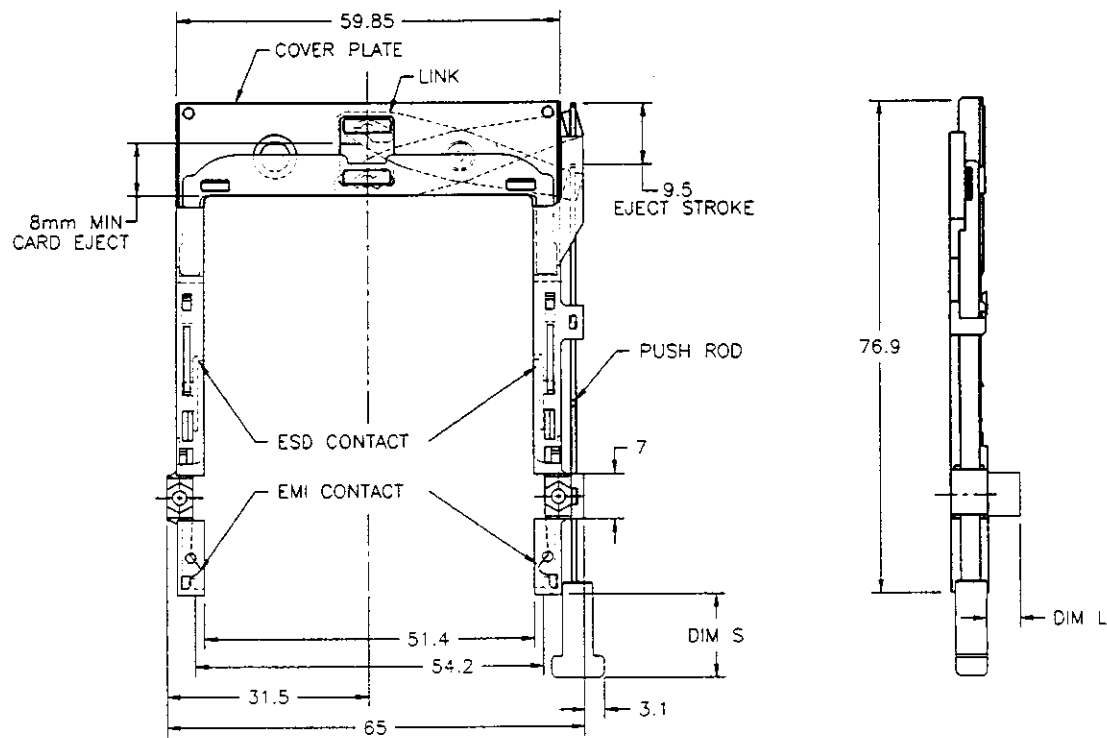
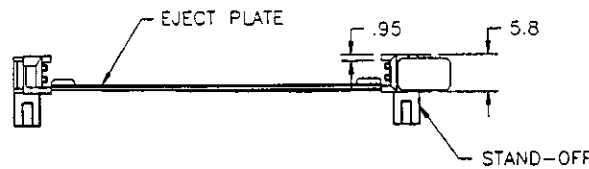


PRODUCT NO.	DIM L	DIM S
71245-00CA	0	13
71245-02CA	2.2	
71245-04CA	4.3	
71245-05CA	5	



NOTES:

- EJECT PLATE TO MOVE ALONG INSIDE WALL OF COVER PLATE SMOOTHLY AFTER ASSEMBLING WITH HEADER.
- MATERIAL:**
 PLASTIC GUIDES: POLYPHTHARAMIDE UL94V-0
 COLOR: BLACK
 COVER PLATE: STAINLESS STEEL
 EMI CONTACT: PHOSPHOR BRONZE
- FINISH:**
 EMI CONTACT: CONTACT AREA: 0.5um Au
 UNDER PLATING: 2.0um Ni
- SEE TA-946 FOR RECOMMENDED PCB LAYOUT.



mat'l. code		tolerances unless otherwise specified		CUSTOMER COPY		BERG ELECTRONICS		
ltr	ecn no	dr	date	linear	X ± .3	projection	title NARROW BODY FRONT EJECT TYPE 123 MECHANISM ASSEMBLY	
B					.XX ± .13			
				angles	.XXX ± .051			product family MCS
				dr	R GRAPE 11/6/95	mm	code -	
				engr	D BRANN 11/6/95	scale 1:1	size dwg no	
				chr	D BRANN 11/6/95		A4	71245
				apcd	D BRANN 11/6/95		sheet 2 of 2	
sheet index	revision sheet							

cage code 22526