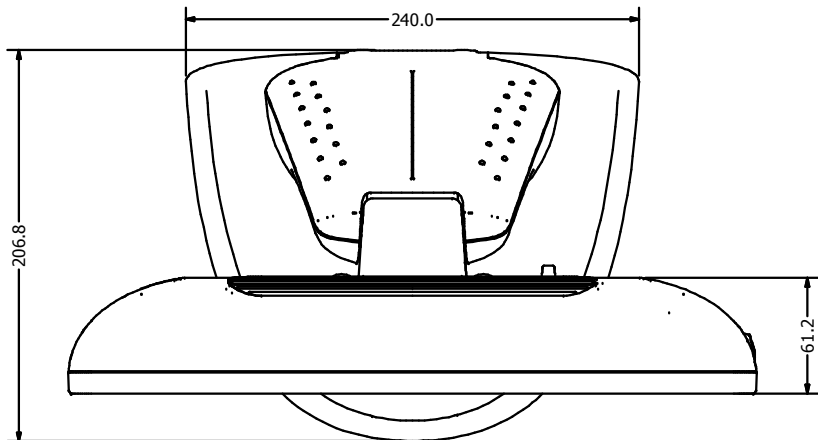


2

1

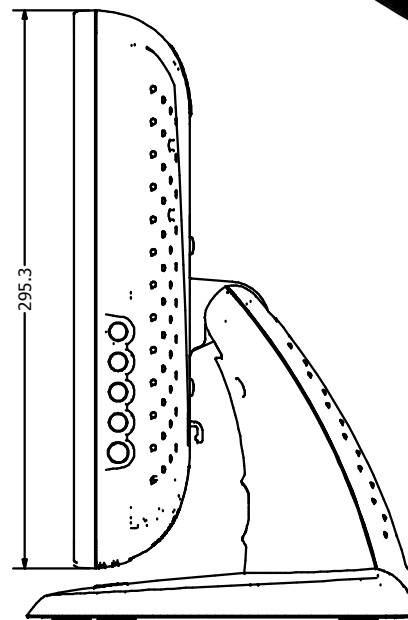
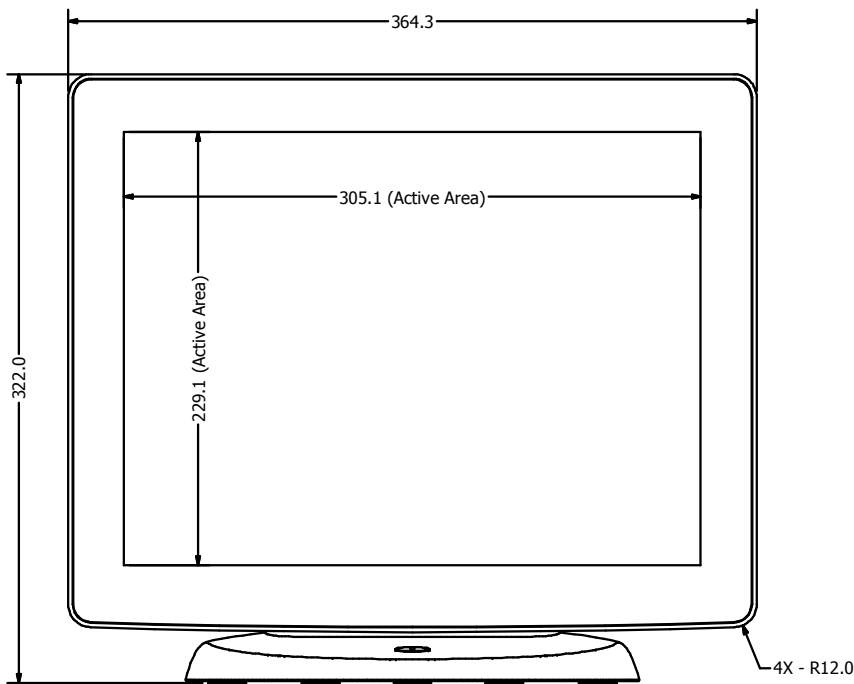
B

B



A

A



Tolerance Table	
Dimension Range	Tolerance (mm)
Under 25 mm	0.1
25.1 - 100 mm	0.2
100.1 - 250 mm	0.4
250.1 - 400 mm	0.8
400.1 - 500 mm	1.5
500.1 - 630 mm	2.0
630.1 - 800 mm	2.5

REV	DATE	DESCRIPTION	BY
01-a	1/20/2011	Initial Release	MPB

THIS DRAWING AND OR TECHNICAL INFORMATION IS THE SOLE PROPERTY OF TPK USA, LLC. AND IS FURNISHED FOR AUTHORIZED USE ONLY AND ON THE UNDERSTANDING AND CONDITION THAT IT IS CONFIDENTIAL. NEITHER THIS DOCUMENT NOR THE INFORMATION DISCLOSED HEREIN SHALL BE DISCLOSED TO OTHERS, COPIED, REPRODUCED OR OTHERWISE TRANSFERRED TO OTHER DOCUMENTS, OR USED FOR MANUFACTURING OR ANY OTHER PURPOSE EXCEPT AS AUTHORIZED BY TPK USA, LLC.

TOLERANCING
UNLESS OTHERWISE SPECIFIED
ALL DIMS ARE mm
X ± 0.2 RADIUS ± 0.15
.XX ± 0.10 ANGLES ± 0.5°
DO NOT SCALE DRAWING



1400 BRIDGE PARKWAY, SUITE 102
REDWOOD CITY, CA 94065 - USA

**TRü 15" Desk Top Touch Monitor
Overview Geometry**

DR: MPB	CK:	Material:	SCALE: NTS
DATE: 1/20/2011			SHEET: 1 OF 1
DWG. No. M15A-0XXX-XX-X-01-a		VER. 01	THIRD ANGLE VIEW

2

1

