

DIMENSIONS ARE IN INCHES		UNLESS OTHERWISE NOTED	TOLERANCES ARE:
ONE PLACE DECIMALS ±.1	THREE PLACE DECIMALS ± .005		ANGLES ± 2°
TWO PLACE DECIMALS ±.01	FOUR PLACE DECIMALS ± .0020		

TITLE: **LOW COST BOARD SPACERS**

DWG NO: XW-XX-XX-XXX-X-XXXX-XXX-XX-XXX
SHEET 2 OF 2

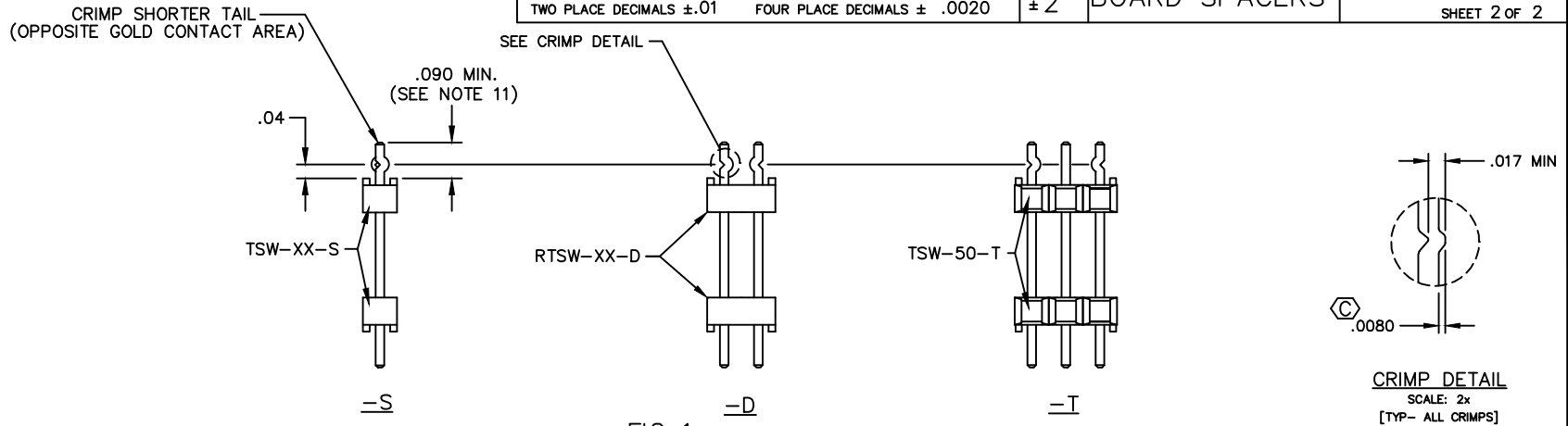
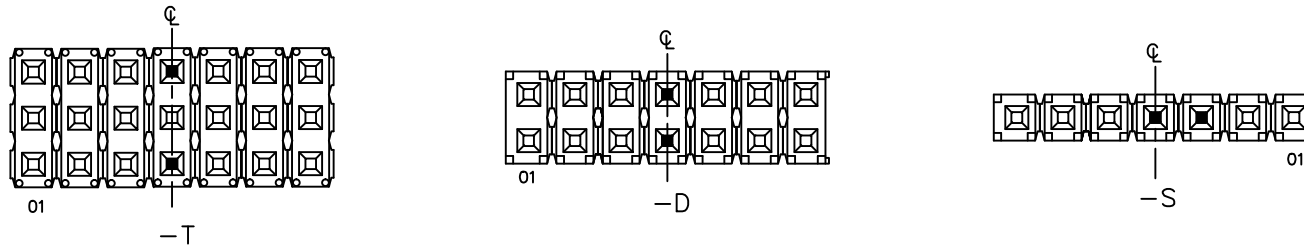
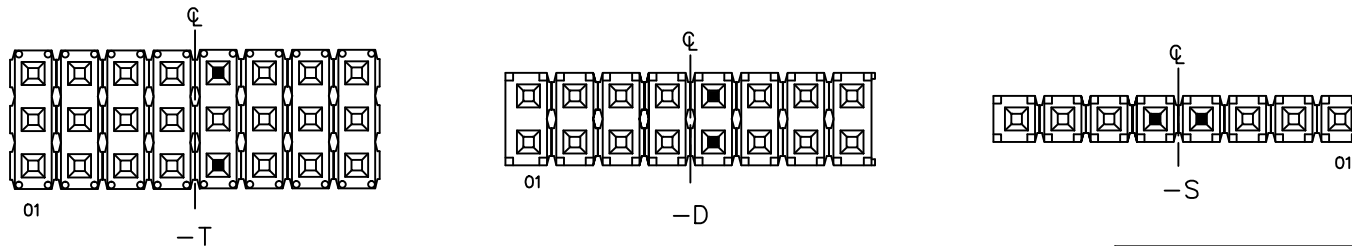


FIG 1
LOCKING LEAD OPTION



■ = CRIMP LOCATION
CRIMP CENTER POSITION AND PIN CLOSEST TO PIN 1
ODD POSITIONS



■ = CRIMP LOCATION
TWO CENTER MOST PINS TO BE CRIMPED
EVEN POSITIONS

PROPRIETARY NOTE
THIS DOCUMENT CONTAINS CONFIDENTIAL AND PROPRIETARY INFORMATION AND ALL DESIGN, MANUFACTURING, REPRODUCTION, USE, PATENT RIGHTS AND SALES RIGHTS ARE EXPRESSLY RESERVED BY SAMTEC, INC. THIS DOCUMENT SHALL NOT BE DISCLOSED, IN WHOLE OR PART, TO ANY UNAUTHORIZED PERSON OR ENTITY NOR REPRODUCED, TRANSMITTED OR INCORPORATED IN ANY OTHER PRODUCT IN ANY MANNER WITHOUT THE EXPRESS WRITTEN CONSENT OF SAMTEC, INC.

MISC\MKGT
XW-XX-XX-XXX-X-XXXX-XXX-XX-XXX-MKTZ

samtec

520 PARK EAST BLVD. NEW ALBANY, INDIANA 47150
PHONE (812) 944-6733 P.O. BOX 1147
CODE 55322

MADE BY: WILLIAMS 8-13-84

XW-XX-XX-XXX-X-XXXX-XXX-XX-XXX
SHEET 2 OF 2